

TABLE SPECIFICATIONS.

STROKE LENGTH	300
POSITIONING ACCURACY	0.020
REPEATABILITY	±0.002
PARALLELISM IN OPERATION A	0.020
STRAIGHTNESS	0.010
BACKLASH	0.001
BALL SCREW LEAD	5

MEASURED ACCURACIES ARE ACCORDING TO IKO INTERNAL EVALUATION METHODS.

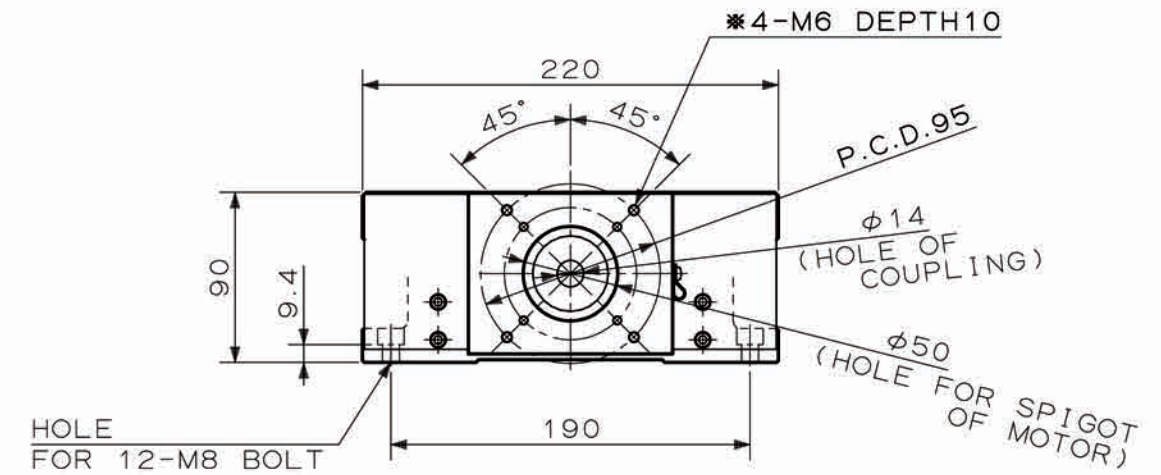
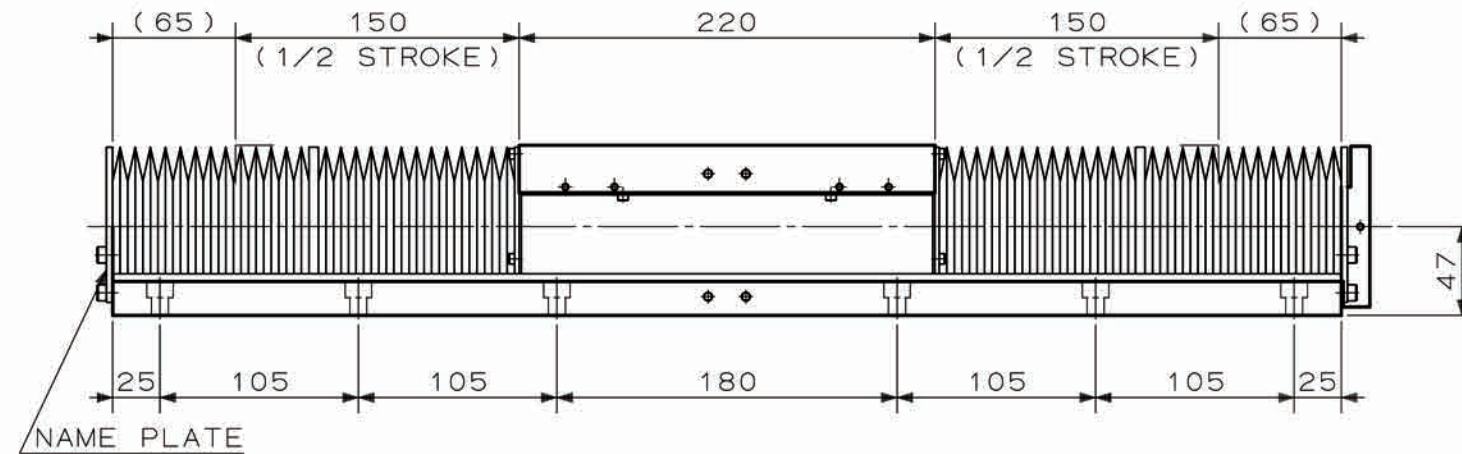
By Company _____
 Signature _____
 Date _____

SPECIFICATION OF SENSOR CONNECTOR

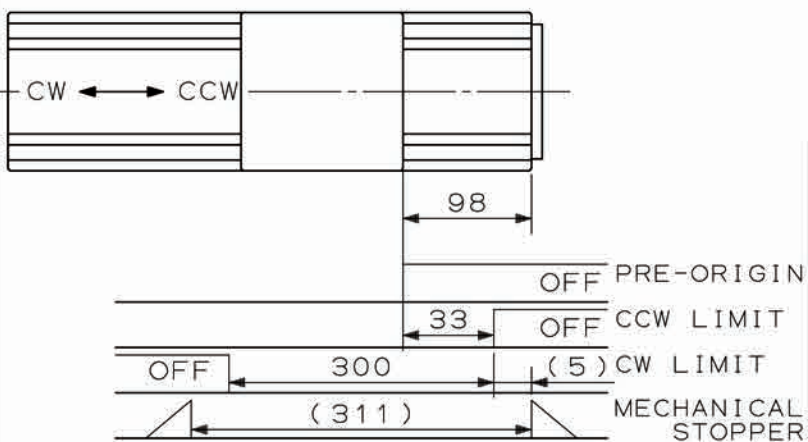
PIN NO.	SIGNAL
1	
2	PRE-ORIGIN
3	CW LIMIT
4	CCW LIMIT
5	DC5V~24V±10%
6	GND

NOTE)

1. THE SENSOR CONNECTORS OF CONTACT SIDE DO NOT ATTACHED WITH (PLUG-HOUSING 172168-1, CONTACT 170363-1 MADE BY AMP)
2. INCORPORATED LINEAR MOTION ROLLING GUIDES ARE C-SLEEVE LINEAR ROLLER WAY (MXS15).
3. THIS TABLE MOTOR MOUNT IS FOR MSK040B-0 (INDRAMAT).
4. RECOMMENDED SHAFT DIA. TOLERANCE FOR THE COUPLING IS h6.



SENSOR TIMING CHART



NO.	DESCRIPTION	Q'TY	REMARKS
3	CONNECTOR FOR SENSOR	1	172160-1 (AMP)
		5	170365-1 (AMP)
2	SENSOR	3	PM-T53B (SUNX)
1	TABLE	1	

CUSTOMER RAC Movimentação Linear				SCALE 1:4 (mm)	CLASSN. —	DATE 14, SEP '06	THEIR PART NO.	TITLE (PART NAME) PRECISION POSITIONING TABLE
REV	DESCRIPTION	DWN	APPD	DATE	DRAFTMAN K. KATOH	DRWG. NO. 06791-0781-00	PART NO. TSLH220H-400/XA5E171	
△					CHECKED H. KAWANO			
△					APPROVED K. KANOH			



Site: www.racml.com.br
 Fone/Fax.: +55 12 3916 4200